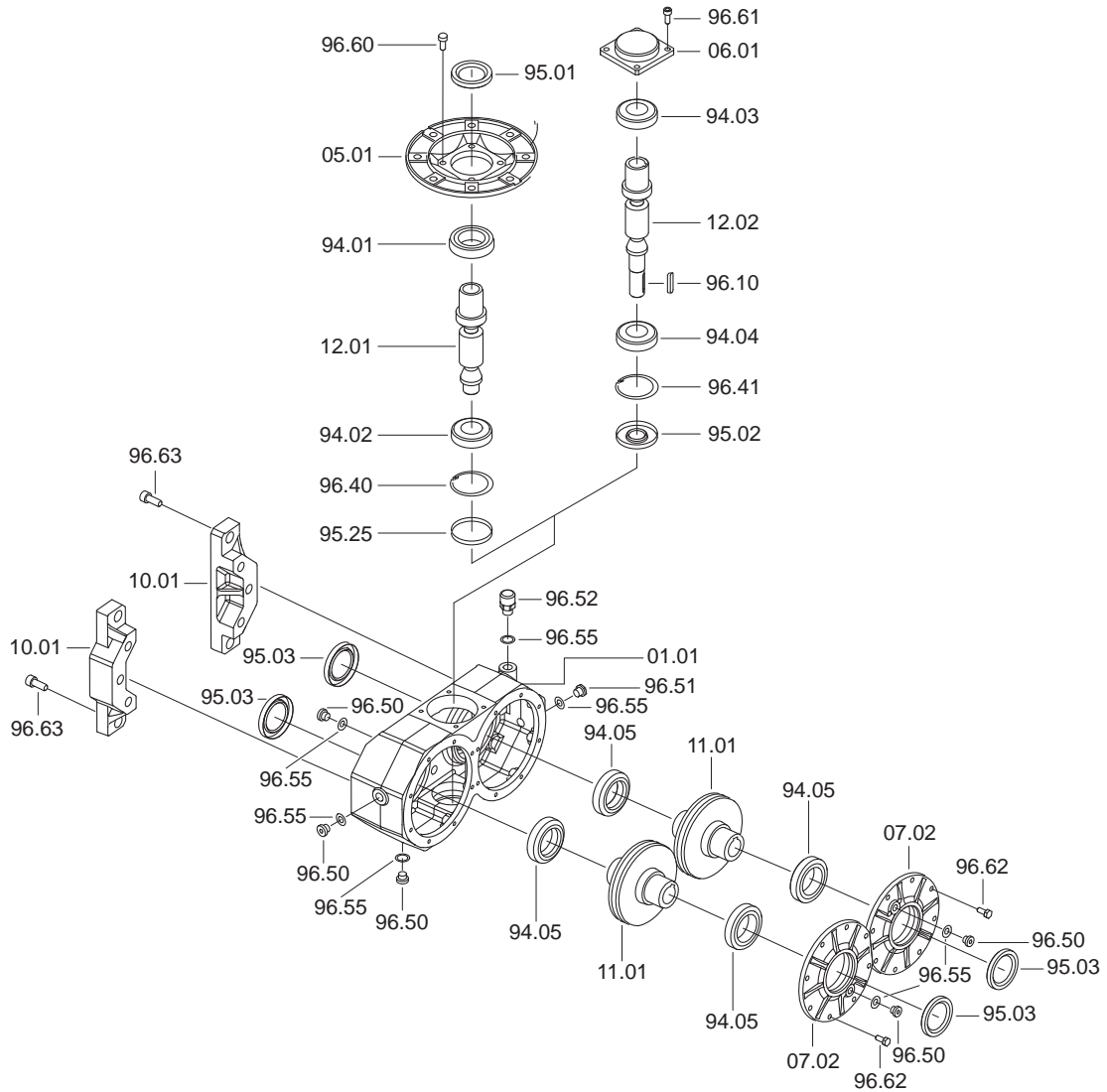
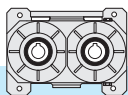


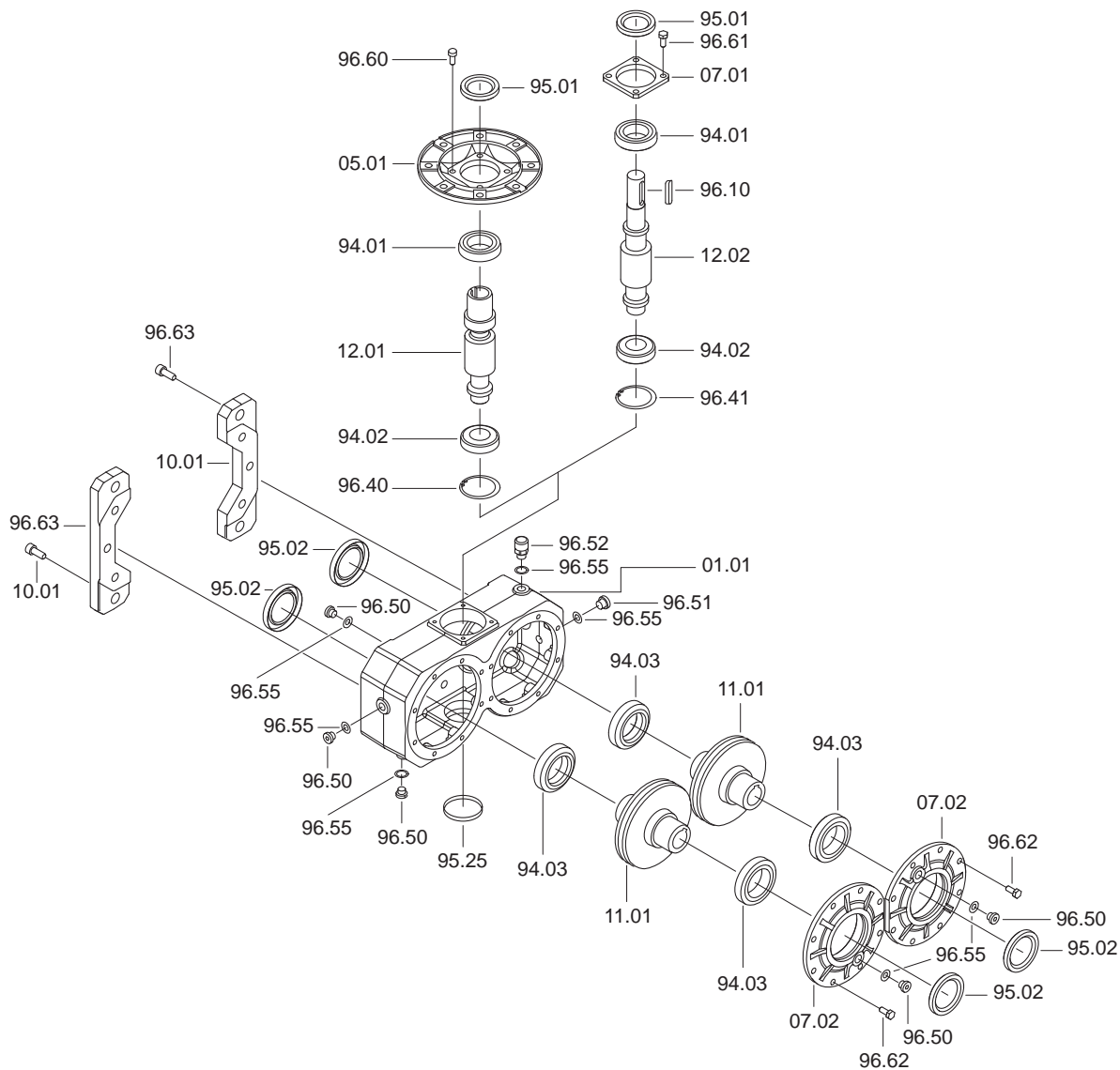
## VM - VI 135



VM VI 135	Cuscinetti / Bearings / Lager					Anelli di tenuta / Oilseals Öldichtungen			Cappello / Closed oil seal Geschlossene Öldichtung
	94.01	94.02	94.03	94.04	94.05	95.01	95.02	95.03	95.25
	30206 30x62x17.25	30304 20x52x16.25	32010 50x80x20	30206 30x62x17.25	32009 45x75x20	30/56/10	20/52/10	45/65/10	ø 52x7

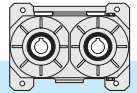


## VM - VI 150

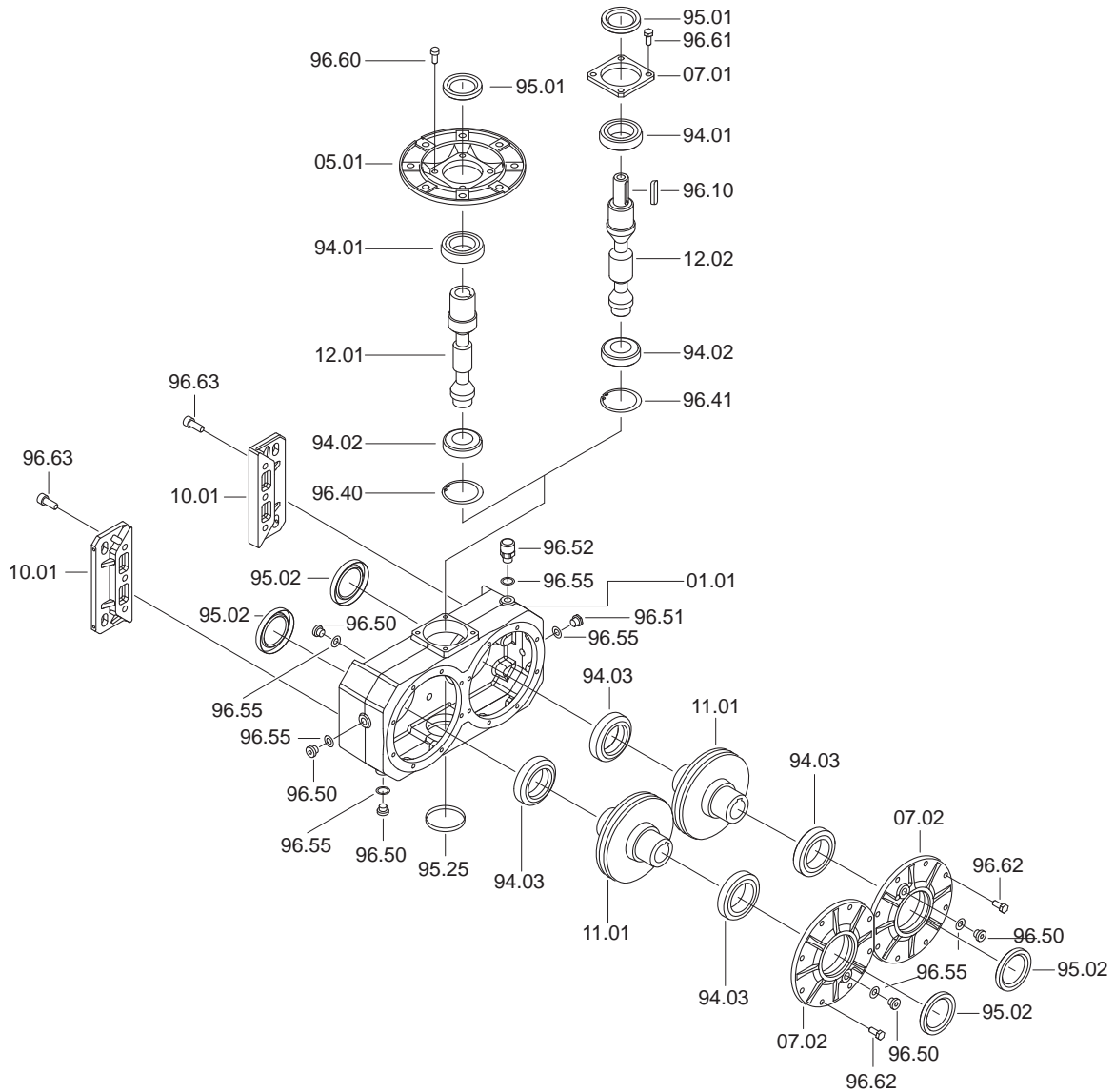


VM VI	Cuscinetti / Bearings / Lager			Anelli di tenuta / Oilseals Öldichtungen		Cappellotto / Closed oil seal Geschlossene Öldichtung
	94.01	94.02	94.03	95.01	95.02	95.25
150	32007 35x62x18	30205 25x52x16.25	32010 50x80x20	35/56/10	50/72/8	ø 52x7
	* 30305 55x62x18					

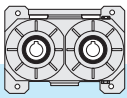
\* Solo per VI150 i40 / Only for VI150 i40 / Nur für VI150 i40



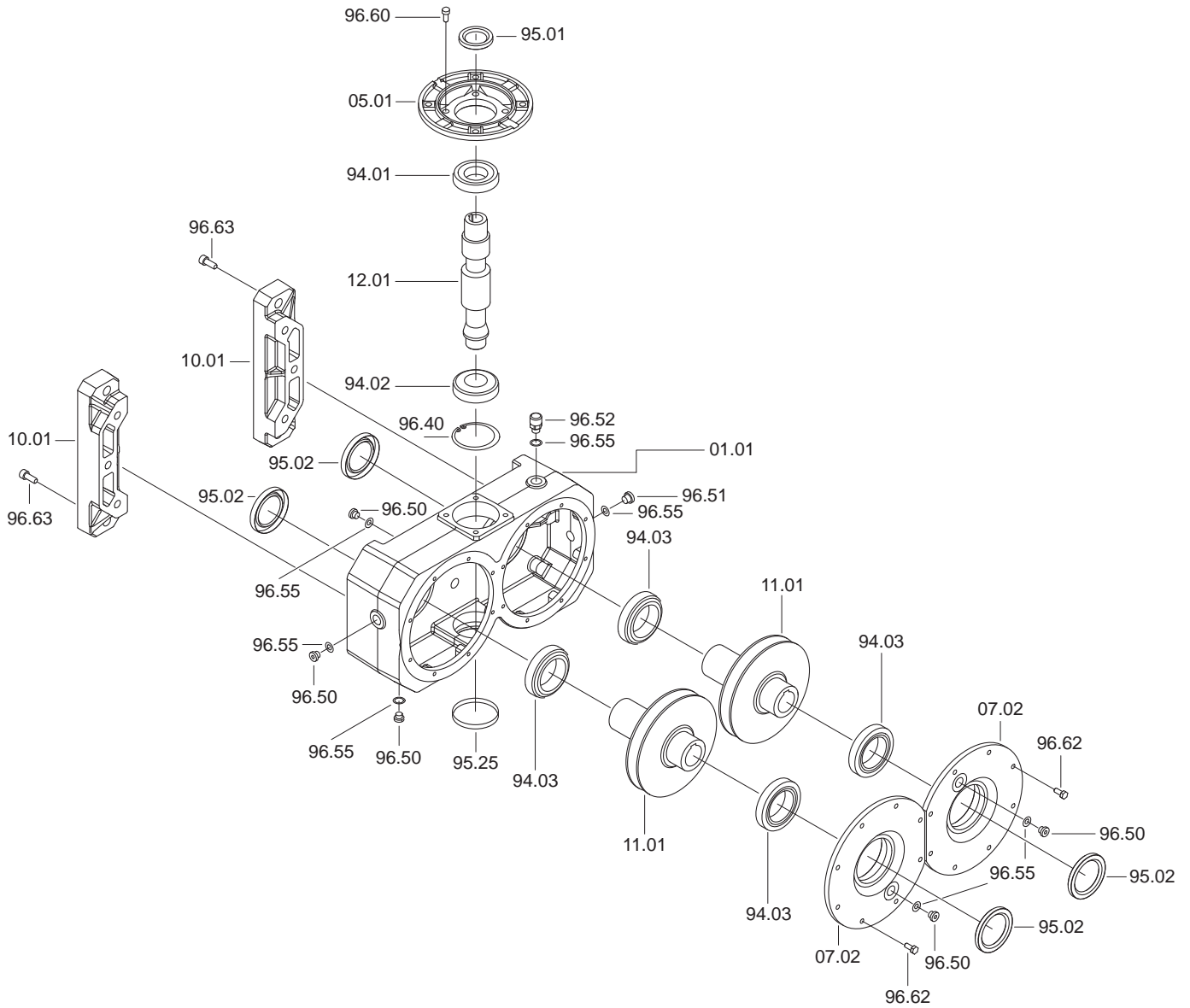
## VM - VI 170



VM VI 170	Cuscinetti / Bearings / Lager			Anelli di tenuta / Oilseals Öldichtungen		Cappellotto / Closed oil seal Geschlossene Öldichtung
	94.01	94.02	94.03	95.01	95.02	95.25
	32008 40x68x19	30206 30x62x17.25	32010 50x80x20	40/62/8	50/72/8	ø 62x7



# VM 230



VM	Cuscinetti / Bearings / Lager			Anelli di tenuta / Oilseals Öldichtungen		Cappellotto / Closed oil seal Geschlossene Öldichtung
	94.01	94.02	94.03	95.01	95.02	95.25
<b>230</b>	<b>30208</b> 40x80x19.75	<b>30307</b> 35x80x22.75	<b>32012</b> 60x95x23	40/72/7	60/85/8	∅ 80x10