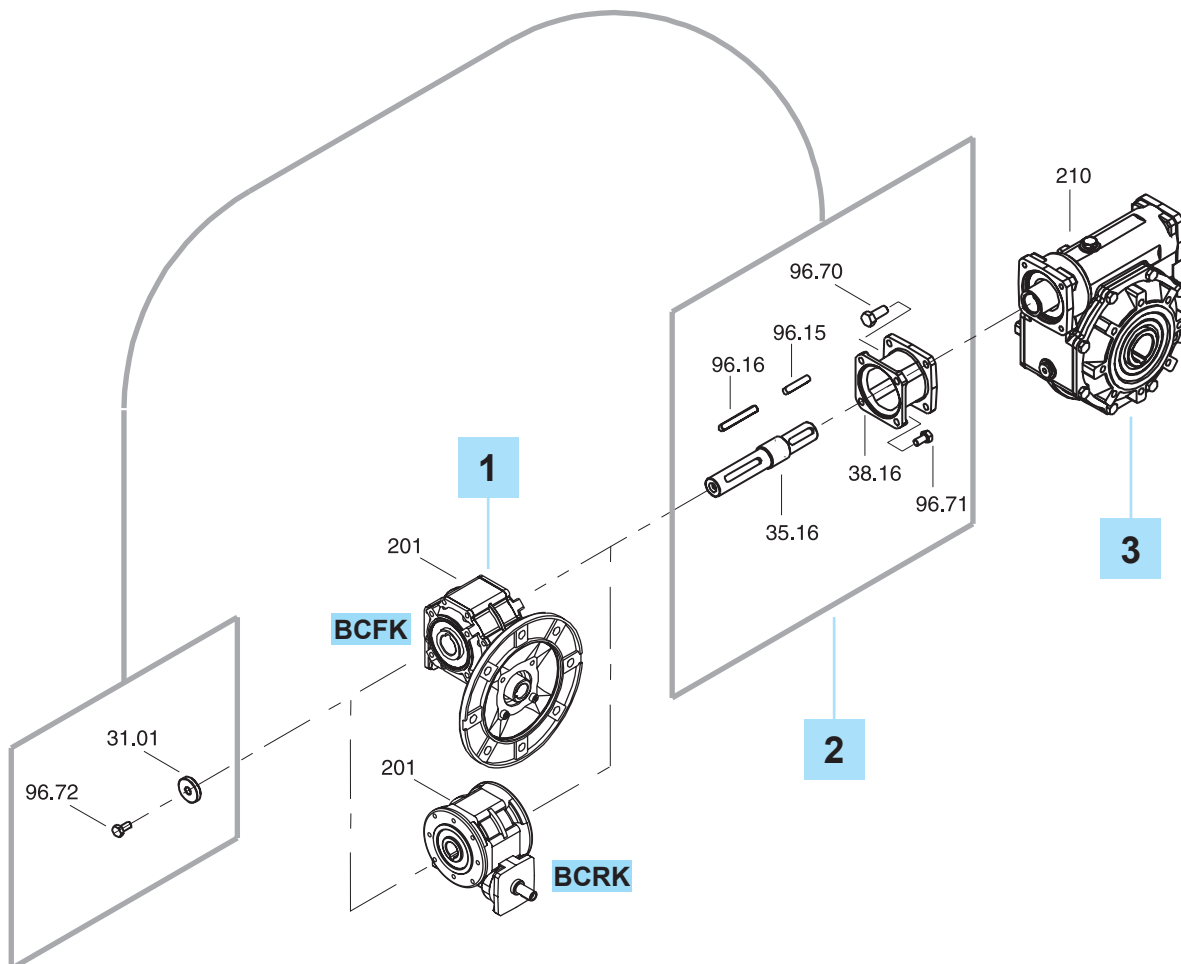




BCFK - BCRK



1

30/30
30/40
30/50
30/63
40/63
40/75
50/75

IN (SCFK)	IN (SCRK)
KC30	KA30
KC40	KA40
KC50	KA50

2

KIT
KIT 30/30 (2850002010)
KIT 30/40 (2850002013)
KIT 30/50 (2850002016)
KIT 30/63 (2850002019)
KIT 40/63 (2850002028)
KIT 40/75 (2850002031)
KIT 50/75 (2850002034)

3

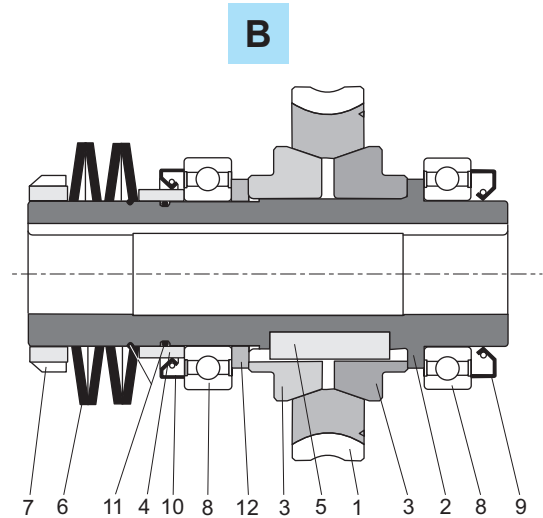
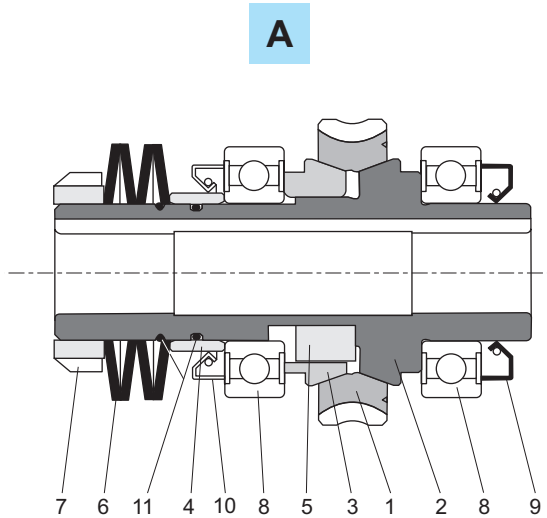
OUT
30/9
40/11
50/14
63/19
63/19
75/24
75/24

BCFK - BCRK

Limitador de par agujero pasante

Torque limiter with through hollow shaft

Limiteur de couple creux continu



	A			B	
BCFK - BCRK					
	30/63 (L1)	40/63 (L1) 40/75 (L1)	50/75 (L1)	30/63 (LD - LS) 40/63 (LD - LS)	40/75 (LD - LS) 50/75 (LD - LS)
1	Corona en bronce / <i>Bronze wheel</i> / Roue en bronze				
2	Limitador del eje hueco / <i>Hollow shaft torque limiter</i> / Arbre creux limiteur				
3	Anillo de fricción / <i>Friction ring</i> / Bague de frottement				
4	Distancias resortes / <i>Washers' distance ring</i> / Entretoise rondelles				
5	Lengüeta / <i>Key</i> / Clavette				
	8x7x10AB	10x8x13AB	12x8x18AB	12x8x40A	16x10x40A
6	Resortes de taza / <i>Belleville washers</i> / Rondelles Belleville				
7	Abrazadera / <i>Metal ring</i> / Frette				
	Cojinetes / <i>Bearings</i> / Roulements				
8	6005 25x47x12	6006 30x55x13	6008 40x68x15	6008 40x68x15	6010 50x80x16
9	Retenes / <i>Oilseals</i> / Bagues d'étanchéité				
	25x40x7	30x47x7	40x62x8	40x62x8	50x72x8
10	Retenes / <i>Oilseals</i> / Bagues d'étanchéité				
	30x40x5	35x47x7	48x62x8	48x62x8	58x72x8
11	Juntas tóricas en goma / <i>Rubber O-rings</i> / Joints toriques en gomme				
	OR2087 21.95x1.78	OR2106 26.7x1.78	OR 36.27x1.78	OR 36.27x1.78	OR2187 47.37x1.78
12	-			Espaciador / <i>Spacer</i> / Entretoise	