



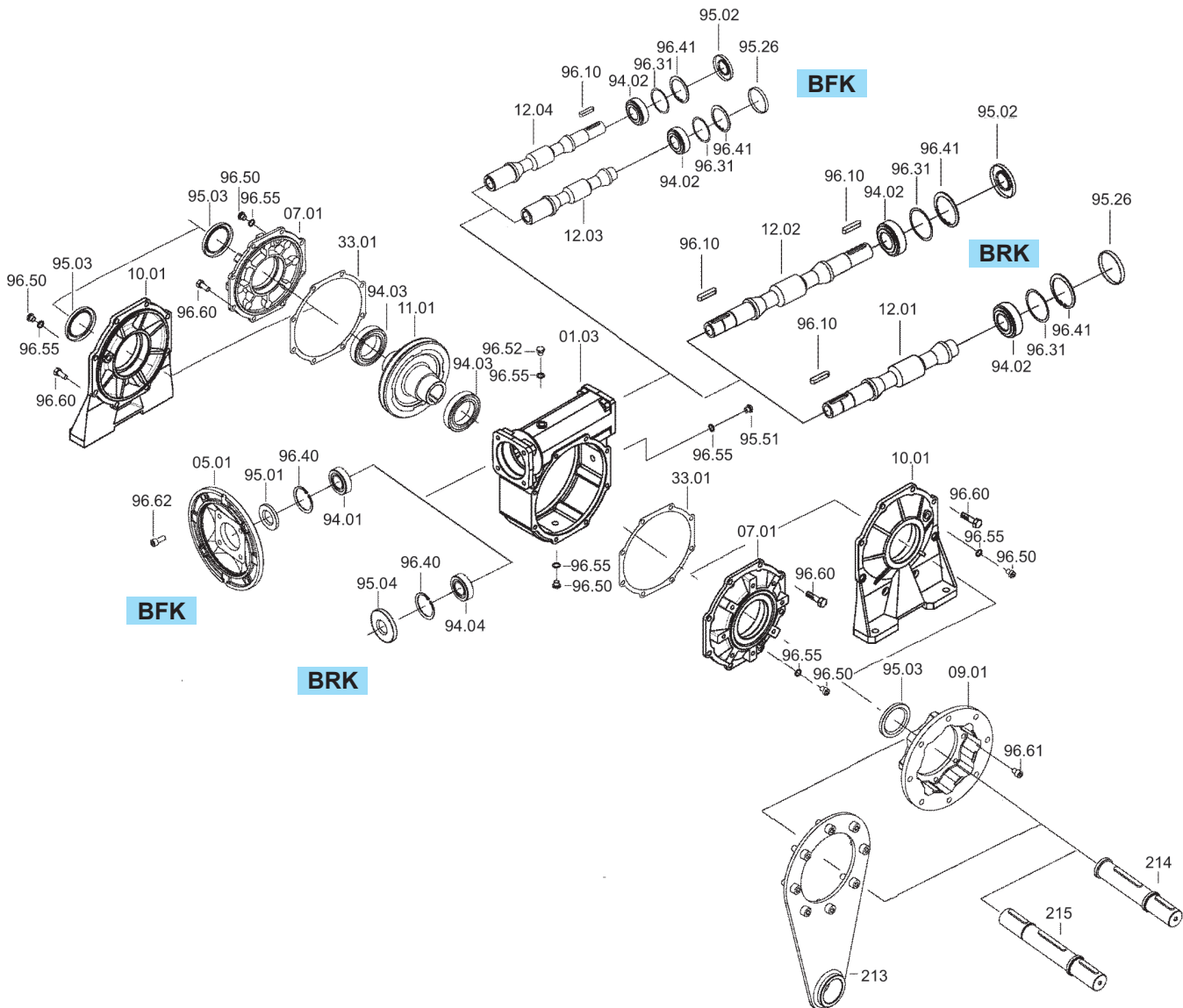
4 BFK - BRK

4.11 Lista de recambios

4.11 Spare parts list

4.11 Liste des pièces détachées

BFK - BRK



BFK BRK	IEC	Cojinetes / Bearings / Roulements				Retenes / Oilseals Bagues d'étanchéité				Casquete Closed oil seal Capot		
		94.01	94.02	94.03	94.04	95.01	95.02	95.03	95.04			
30	56	61804 (20x32x7)	6000 10x26x8	16005 25x47x8	6201 12x32x10	20/32/7 20/32/7	10/26/7	25/40/7	12/32/7	ø 26x7		
	63	61804 (20x32x7)										
40	56	6303 (17x47x14)	6201 12x32x10	16006 30x55x9	6303 17x47x14	17/47/7	12/32/7	30/47/7 (A, B, V)	17/47/7	ø 32x7		
	63	6204 (20x47x14)				20/47/7		30/45/7 (P)				
	71	6005 (25x47x12)				25/47/7						
50	63	6204 (20x47x14)	6203 17x40x12	6008 40x68x15	*32008 40x68x19	6204 20x47x14	20/47/7	17/40/7	40/62/8 (A, B, V)	20/47/7	ø 40x7	
	71	6005 (25x47x12)					25/47/7					40/56/8 (P)
	80	6006 (30x55x13)					30/55/7					
63	71	30305 (25x62x18.25)	30204 20x47x15.25	6008 40x68x15	*32008 40x68x19	30305 25x62x18.25	25/62/7	20/47/7	40/62/8	25/62/7	ø 47x7	
	80	30206 (30x62x17.25)					30/62/7					
	90	32007 (35x62x18)					35/62/7					
75	71	30206 (30x62x17.25)	30205 25x52x16.25	6010 50x80x16	*32010 50x80x20	30305 25x62x18.25	30/62/7	25/52/7	50/72/8	25/62/7	ø 52x7	
	80	30206 (30x62x17.25)					30/62/7					
	90	32007 (35x62x18)					35/62/7					
	100/112	32008 (40x68x19)					40/68/10					

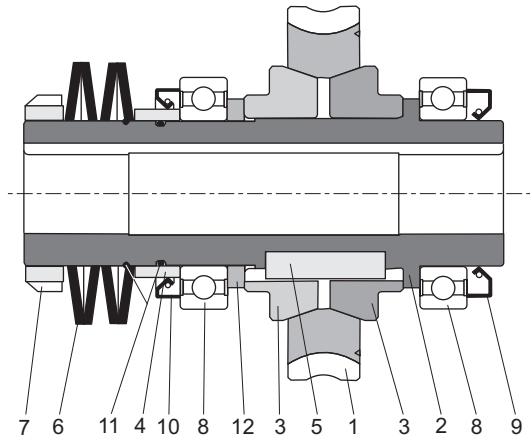
* Cojinetes de rodillos conicos a pedido - Tapered roller bearings on request - Roulements coniques sur demande

BFK - BRK

Limitador de par agujero pasante

Torque limiter with through hollow shaft

Limiteur de couple creux continu



BFK - BRK		
	63 (LD - LS)	75 (LD - LS)
1	Corona en bronce / <i>Bronze wheel</i> / Roue en bronze	
2	Limitador del eje hueco / <i>Hollow shaft torque limiter</i> / Arbre creux limiteur	
3	Anillo de fricción / <i>Friction ring</i> / Bague de frottement	
4	Distancias resortes / <i>Washers' distance ring</i> / Entretoise rondelles	
	Lengüeta / <i>Key</i> / Passfeder	
5	12x8x40A	16x10x40A
6	Resortes de taza / <i>Belleville washers</i> / Rondelles Belleville	
7	Abrazadera / <i>Metal ring</i> / Frette	
	Cojinetes / <i>Bearings</i> / Roulements	
8	6008 40x68x15	6010 50x80x16
9	Retenes / <i>Oilseals</i> / Bagues d'étanchéité	
	40x62x8	50x72x8
10	Retenes / <i>Oilseals</i> / Bagues d'étanchéité	
	48x62x8	58x72x8
	Juntas tóricas en goma / <i>Rubber O-rings</i> / Joints toriques en gomme	
11	OR 36.27x1.78	OR2187 47.37x1.78
12	Espaciador / <i>Spacer</i> / Entretoise	