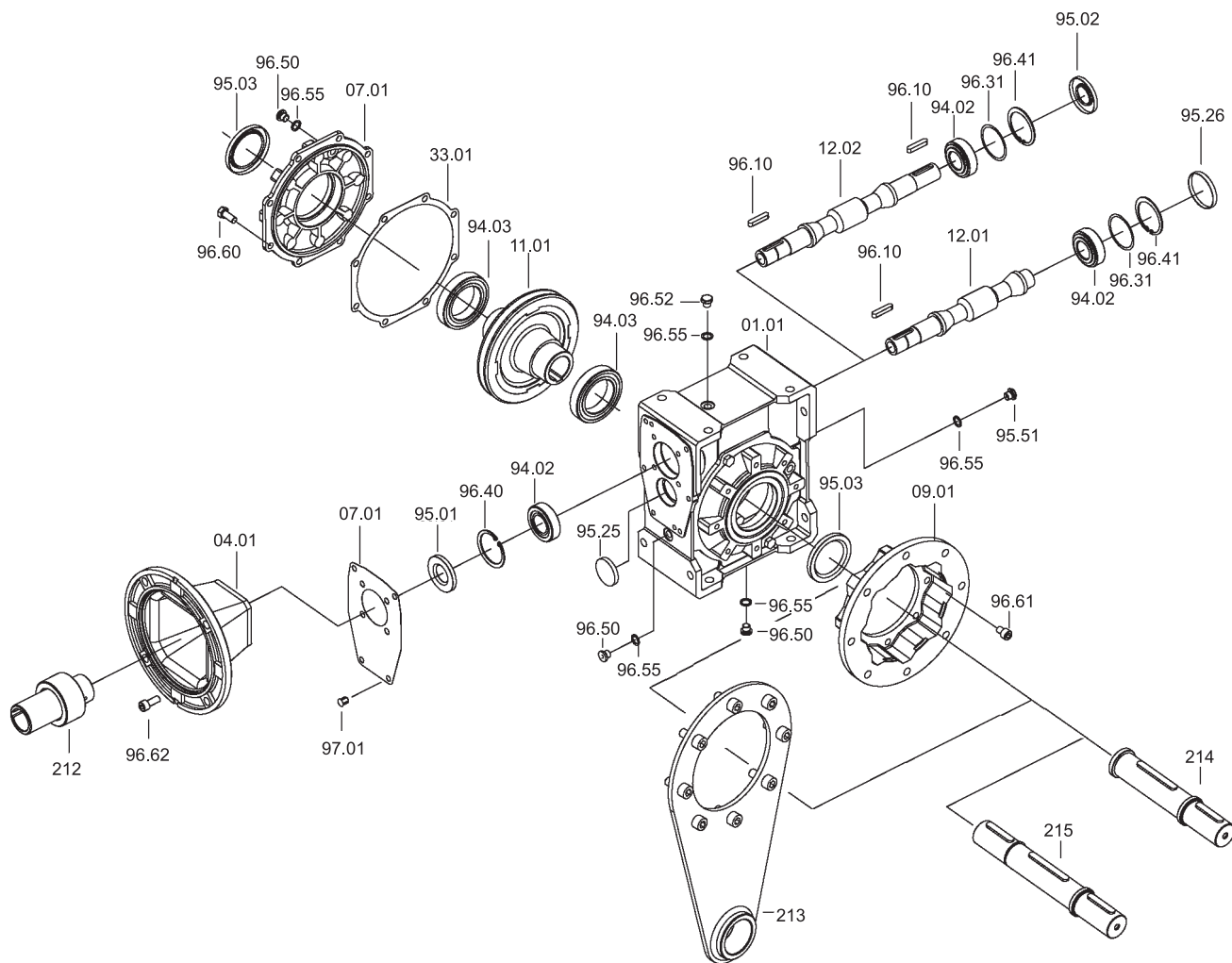




XA - XF

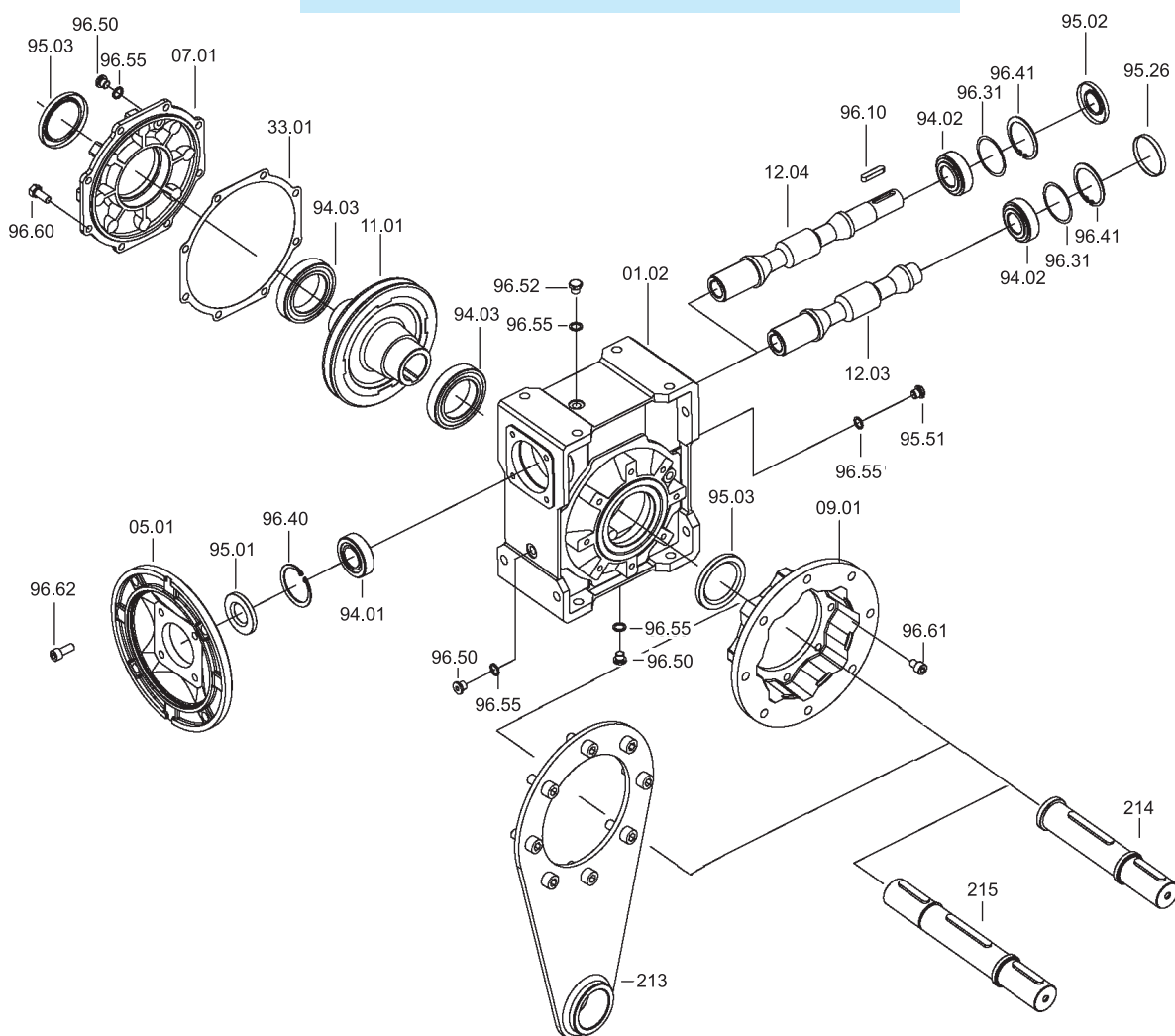


X	Cuscinetti / Bearings / Lager			Anelli di tenuta / Oilseals Öldichtungen			Cappellotto / Closed oil seal Geschlossene Öldichtung	
	94.02	94.03		95.01	95.02	95.03	95.25	95.26
30	6000 10x26x8	6005 25x47x12	*32005 25x47x15	10/26/5.5	10/26/7	25/40/7	—	ø 6x7
40	6201 12x32x10	6006 30x55x13	*32006 30x55x17	12/32/7	12/32/7	30/47/7	—	ø 32x7
50	6203 17x40x12	6008 40x68x15	*32008 40x68x19	17/40/7	17/40/7	40/62/8	—	ø 40x7
63	30204 20x47x15.25	6008 40x68x15	*32008 40x68x19	20/47/7	20/47/7	40/62/8	—	ø 47x7
75	30205 25x52x16.25	6010 50x80x16	*32010 50x80x20	25/52/7	25/52/7	50/72/8	—	ø 52x7
90	32205 25x52x19.25	6010 50x80x16	*32010 50x80x20	25/52/7	25/52/7	50/72/8	ø 35x5	ø 52x7
110	32206B 30x62x21.25	6012 60x95x18	*32012 60x95x23	30/62/7	30/62/7	60/85/8	ø 47x7	ø 62x7
130	33208 40x80x32	6015 75x115x20	*32015 75x115x25	40/80/10	40/80/10	75/100/10	ø 52x7	ø 80x10

* Cuscinetti a rulli conici a richiesta - Tapered roller bearings on request - Auf Wunsch Kegelrollenlager



XC



X	IEC	Cuscinetti / Bearings / Lager				Anelli di tenuta / Oilseals Öldichtungen			Cappello / Closed oil seal Geschlossene Öldichtung
		94.01	94.02	94.03		95.01	95.02	95.03	95.26
30	56	61804 (20x32x7)	6000 10x26x8	6005 25x47x12	*32005 25x47x15	20/32/5	10/26/7	25/40/7	ø 26x7
	63	61804 (20x32x7)		20/32/5					
40	56	6303 (17x47x14)	6201 12x32x10	6006 30x55x13	*32006 30x55x17	17/47/7	12/32/7	30/47/7	ø 32x7
	63	6204 (20x47x14)		20/47/7					
	71	6005 (25x47x12)		25/47/7					
50	63	6204 (20x47x14)	6203 17x40x12	6008 40x68x15	*32008 40x68x19	20/47/7	17/40/7	40/62/8	ø 40x7
	71	6005 (25x47x12)		25/47/7					
	80	6006 (30x55x13)		30/55/7					
63	71	30305 (25x62x18.25)	30204 20x47x15.25	6008 40x68x15	*32008 40x68x19	25/62/7	20/47/7	40/62/8	ø 47x7
	80	30206 (30x62x17.25)		30/62/7					
	90	32007 (35x62x18)		35/62/7					
75	80	30206 (30x62x17.25)	30205 25x52x16.25	6010 50x80x16	*32010 50x80x20	30/62/7	25/52/7	50/72/8	ø 52x7
	90	32007 (35x62x18)		35/62/7					
	100/112	32008 (40x68x19)		40/68/10					
90	80	30206 (30x62x17.25)	32205B 25x52x19.25	6010 50x80x16	*32010 50x80x20	30/62/7	25/52/7	50/72/8	ø 52x7
	90	32007 (35x62x18)		35/62/7					
	100/112	32008 (40x68x19)		40/68/10					
110	90	30208 (40x80x19.75)	32206B 30x62x21.25	6012 60x95x18	*32012 60x95x23	40/80/10	30/62/7	60/85/8	ø 62x7
	100/112	30208 (40x80x19.75)		40/80/10					
	132	32010 (50x80x20)		50/80/10					
130	90	30208 (40x80x19.75)	33208 40x80x32	6015 75x115x20	*32015 75x115x25	40/80/10	40/80/10	75/100/10	ø 80x10
	100/112	30208 (40x80x19.75)		40/80/10					
	132	32010 (50x80x20)		50/80/10					

* Cuscinetti a rulli conici a richiesta - Tapered roller bearings on request - Auf Wunsch Kegelrollenlager