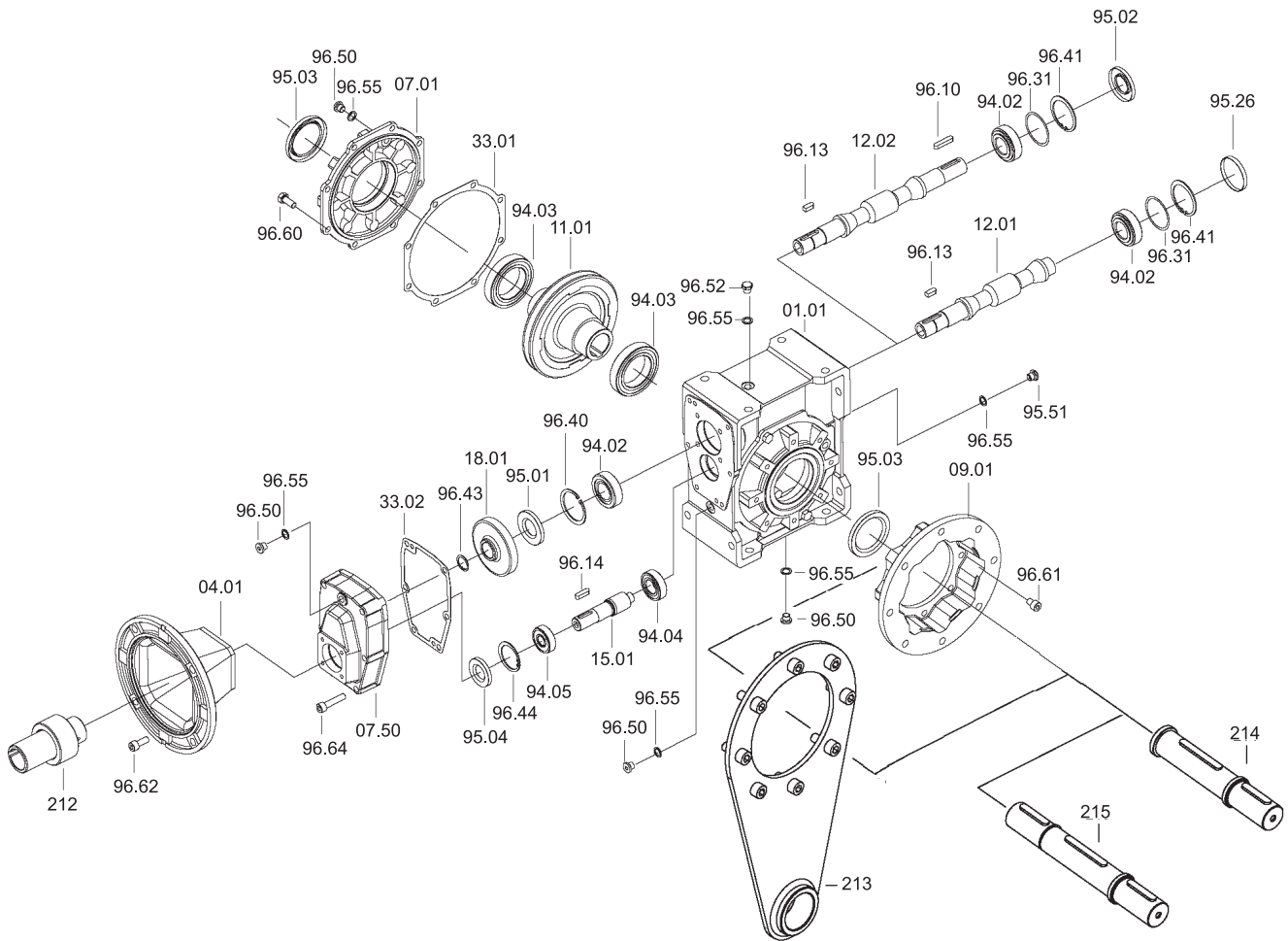


4.11 Lista de recambio

4.11 Spare parts list

4.11 Liste des pièces détachées

HA - HF



H	Cojinetes / Bearings / Roulements					Retenes / Oilseals Bagues d'étanchéité				Casquete / Closed oil seal Capot
	94.02	94.03	94.04	94.05	94.05	95.01	95.02	95.03	95.04	95.26
40	6201 12x32x10	6006 30x55x13	*32006 30x55x17	6000 10x26x8	6000 10x26x8	12/32/7	12/32/7	30/47/7	10/26/7	∅ 32x7
50	6203 17x40x12	6008 40x68x15	*32008 40x68x19	6200 10x30x9	6201 12x32x10	17/40/7	17/40/7	40/62/8	12/32/7	∅ 40x7
63	30204 20x47x15.25	6008 40x68x15	*32008 40x68x19	6201 12x32x10	6203 17x40x12	20/47/7	20/47/7	40/62/8	17/40/7	∅ 47x7
75	30205 25x52x16.25	6010 50x80x16	*32010 50x80x20	6202 15x35x11	6204 20x47x14	25/52/7	25/52/7	50/72/8	20/47/7	∅ 52x7
90	32205 25x52x19.25	6010 50x80x16	*32010 50x80x20	6202 15x35x11	6204 20x47x14	25/52/7	25/52/7	50/72/8	20/47/7	∅ 52x7
110	32206B 30x62x21.25	6012 60x95x18	*32012 60x95x23	6303 17x47x14	6205 25x52x15	30/62/7	30/62/7	60/85/8	25/52/7	∅ 62x7
130	33208 40x80x32	6015 75x115x20	*32015 75x115x25	6304 20x52x15	6305 25x62x17	40/80/10	40/80/10	75/100/10	25/62/8	∅ 80x10

* Cojinetes de rodillos conicos a pedido - Tapered roller bearings on request - Roulements coniques sur demande