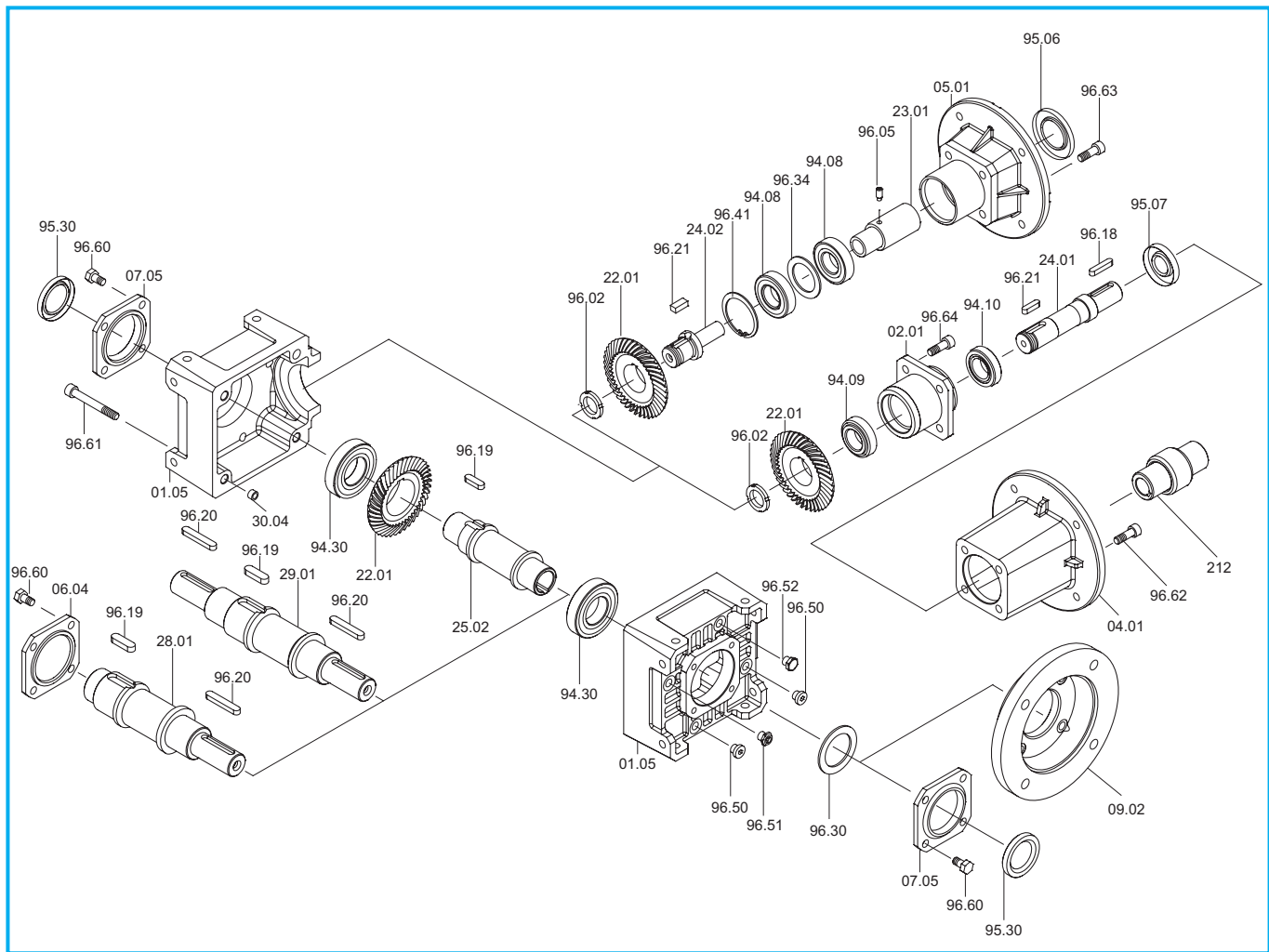
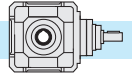


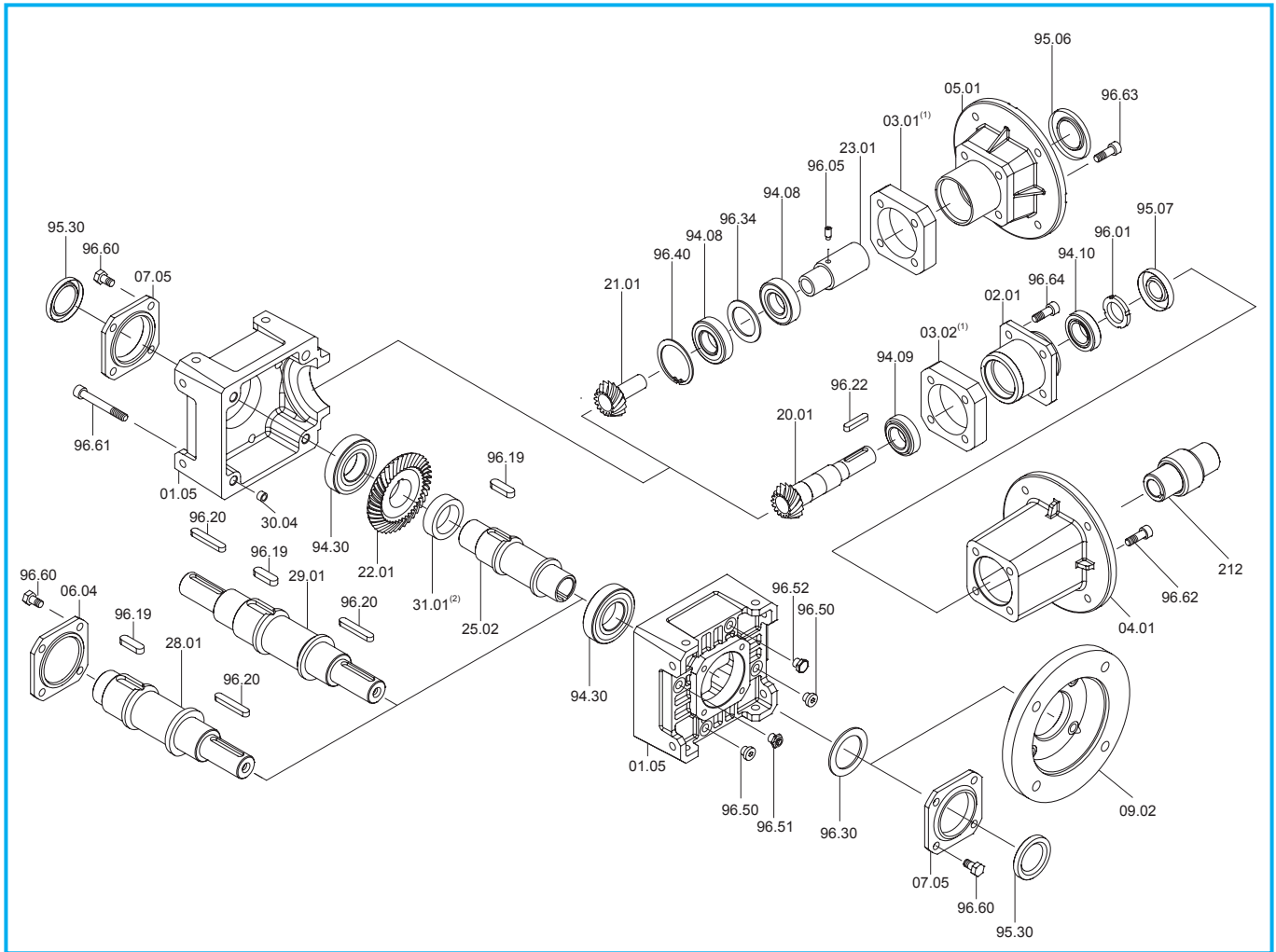
LA - LC - LF (in = 1)



LA - LC - LF in = 1:1	Rodamientos / Bearings / Roulements			Retenes / Oilseals / Bagues d'étanchéité			
	LA - LC - LF	LA - LF	LC	LA - LC - LF	LC	LA - LF	
	94.30	94.10 - 94.09	94.08	95.30	IEC 95.06	95.07	
19	6206 30/62/16	30203 17/40/13.25	7203 17/40/12	30/47/7	63	25/52/7	20/40/7
					71	30/52/7	
					80	35/52/7	
					90	37/52/8	
24	6207 35/72/17	32005 25/47/15	7205 25/52/15	35/52/7	71 - 80	35/62/7	30/47/7
					90	40/62/7	
					100 - 112	45/62/8	
28	6208 40/80/18	32006 30/55/17	7206 30/62/16	40/62/8	80 - 90	40/72/7	35/58/10
					100 - 112	45/72/8	
					132	55/72/8	
38	30211 55/100/22.75	32007 35/62/18	7207 35/72/17	55/72/10	90	45/80/10	40/62/7
					100 - 112	45/80/10	
					132	55/80/10	
					160	60/80/8	
48	30213 65/120/24.75	33109 45/80/26	7209 45/85/19	65/90/10	180	65/80/8	55/80/8
					100 - 112	55/100/13	
					132 - 160	60/100/10	
					200	75/100/10	



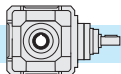
LA - LC - LF (in > 1)



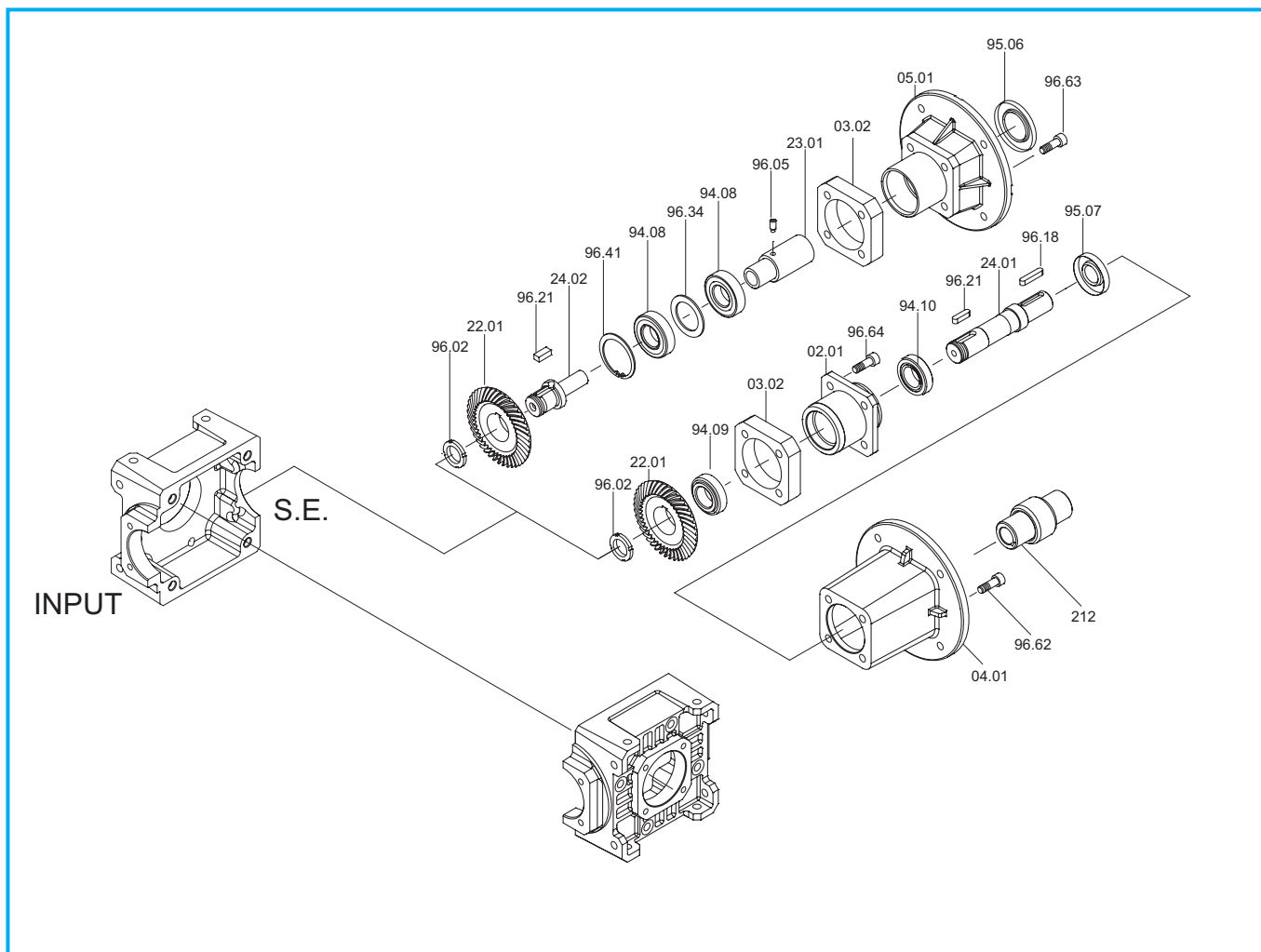
(1): Solo para L48 i>1 / Only for R48 i>1 / Uniquement pour R48 i>1

(2): Solo para L19 i=2 / Only for L19 i=2 / Uniquement pour L19 i=2

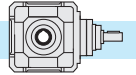
LA - LC - LF in > 1	Rodamientos / Bearings / Roulements			Retenes / Oilseals / Bagues d'étanchéité			
	LA - LC - LF	LA - LF	LC	LA - LC - LF	LC	LA - LF	
	94.30	94.10 - 94.09	94.08	95.30	IEC	95.06	95.07
19	6206 30/62/16	30203 17/40/13.25	7203 17/40/12	30/47/7	63	25/52/7	15/40/10
					71	30/52/7	
					80	35/52/7	
					90	37/52/8	
24	6207 35/72/17	32005 25/47/15	7205 25/52/15	35/52/7	71 - 80	35/62/7	20/47/7
					90	40/62/7	
					100 - 112	45/62/8	
28	6208 40/80/18	32006 30/55/17	7206 30/62/16	40/62/8	80 - 90	40/72/7	25/58/10
					100 - 112	45/72/8	
					132	55/72/8	
38	30211 55/100/22.75	32007 35/62/18	7207 35/72/17	55/72/10	90	45/80/10	30/62/7
					100 - 112	45/80/10	
					132	55/80/10	
					160	60/80/8	
48	30213 65/120/24.75	33109 45/80/26	7209 45/85/19	65/90/10	180	65/80/8	40/80/10
					100 - 112	55/100/13	
					132 - 160	60/100/10	
					200	75/100/10	



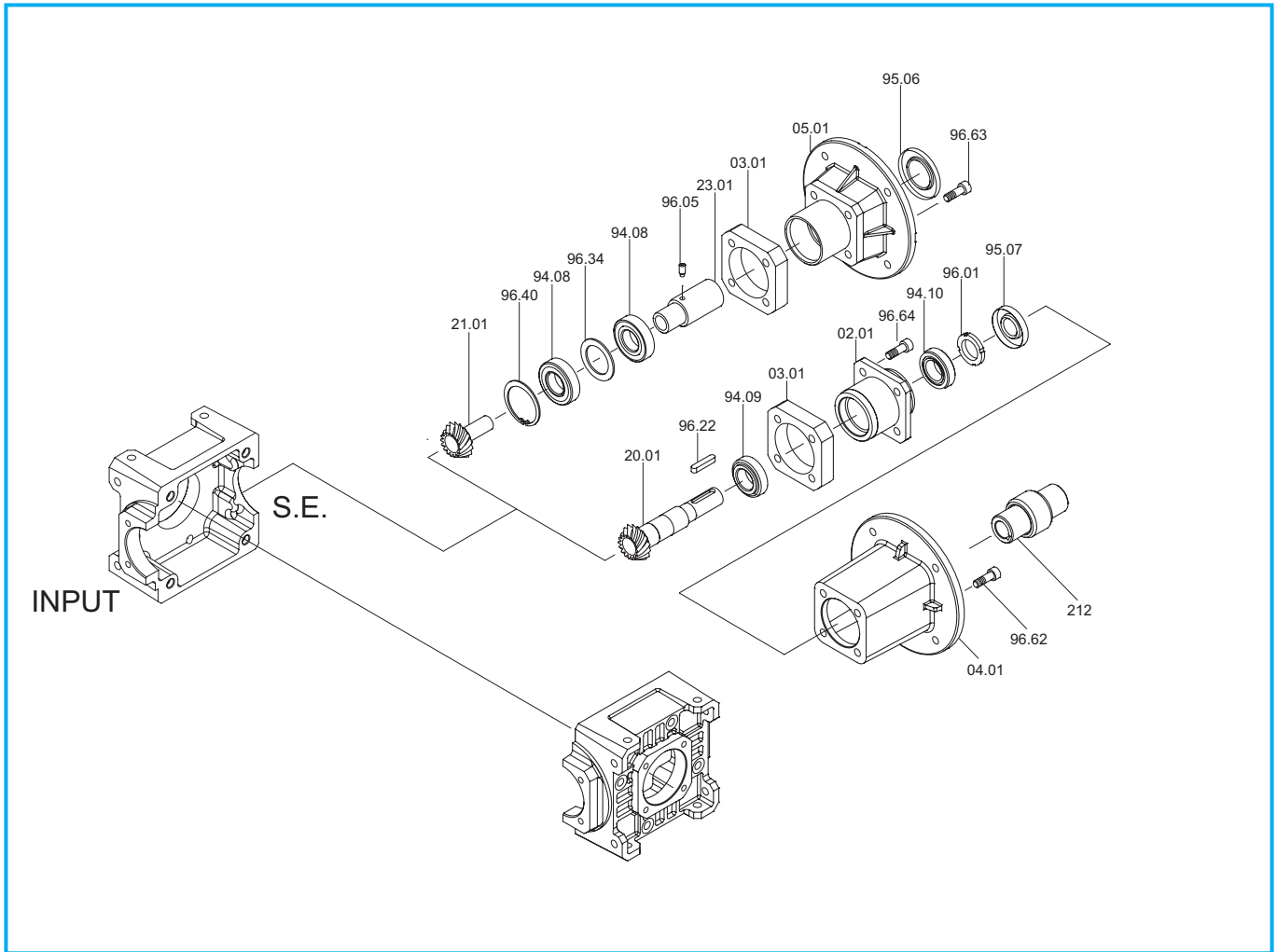
LA - LC - LF (in = 1) s.e.



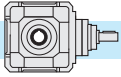
LA - LC - LF in = 1:1 S.E	Rodamientos / Bearings / Roulements		Retenes / Oilseals / Bagues d'étanchéité		
	LA - LF	LC	LC		LA - LF
	94.10 - 94.09	94.08	IEC	95.06	95.07
19	30203 17/40/13.25	7203 17/40/12	63	25/52/7	20/40/7
			71	30/52/7	
			80	35/52/7	
			90	37/52/8	
24	32005 25/47/15	7205 25/52/15	71 - 80	35/62/7	30/47/7
			90	40/62/7	
			100 - 112	45/62/8	
28	32006 30/55/17	7206 30/62/16	80 - 90	40/72/7	35/58/10
			100 - 112	45/72/8	
			132	55/72/8	
38	32007 35/62/18	7207 35/72/17	90	45/80/10	40/62/7
			100 - 112	45/80/10	
			132	55/80/10	
			160	60/80/8	
48	33109 45/80/26	7209 45/85/19	180	65/80/8	55/80/8
			100 - 112	55/100/13	
			132 - 160	60/100/10	
			200	75/100/10	



LA - LC - LF (in > 1) s.e.



LA - LC - LF in > 1 S.E	Rodamientos / Bearings / Roulements		Retenes / Oilseals / Bagues d'étanchéité		
	LA - LF	LC	LC		LA - LF
	94.10 - 94.09	94.08	IEC	95.06	95.07
19	3203 17/40/13.25	7203 17/40/12	63	25/52/7	15/40/10
			71	30/52/7	
			80	35/52/7	
			90	37/52/8	
24	32005 25/47/15	7205 25/52/15	71 - 80	35/62/7	20/47/7
			90	40/62/7	
			100 - 112	45/62/8	
28	32006 30/55/17	7206 30/62/16	80 - 90	40/72/7	25/58/10
			100 - 112	45/72/8	
			132	55/72/8	
38	32007 35/62/18	7207 35/72/17	90	45/80/10	30/62/7
			100 - 112	45/80/10	
			132	55/80/10	
			160	60/80/8	
48	33109 45/80/26	7209 45/85/19	180	65/80/8	40/80/10
			100 - 112	55/100/13	
			132 - 160	60/100/10	
			200	75/100/10	



3.14 Lista de recambios

3.14 Spare parts list

3.14 Liste des pièces détachées

Cuando se ordene un recambio, especificar siempre el número particular de cada pieza referenciado en el despiece (ver gráfico de despiece) fecha (1), n° de código (2) y n° variable (3). (Ver placa de características).

When ordering please specify the spare part number (see exploded view) as well as the date (1), the article number (2) and the variant number (3) (see plate).

Lors de la commande de pièces détachées, toujours rappeler le n° de la pièce (voir plan éclaté), la date (1), le n° de code (2) et le n° de la variante (3). (Voir plaquette signalétique).

