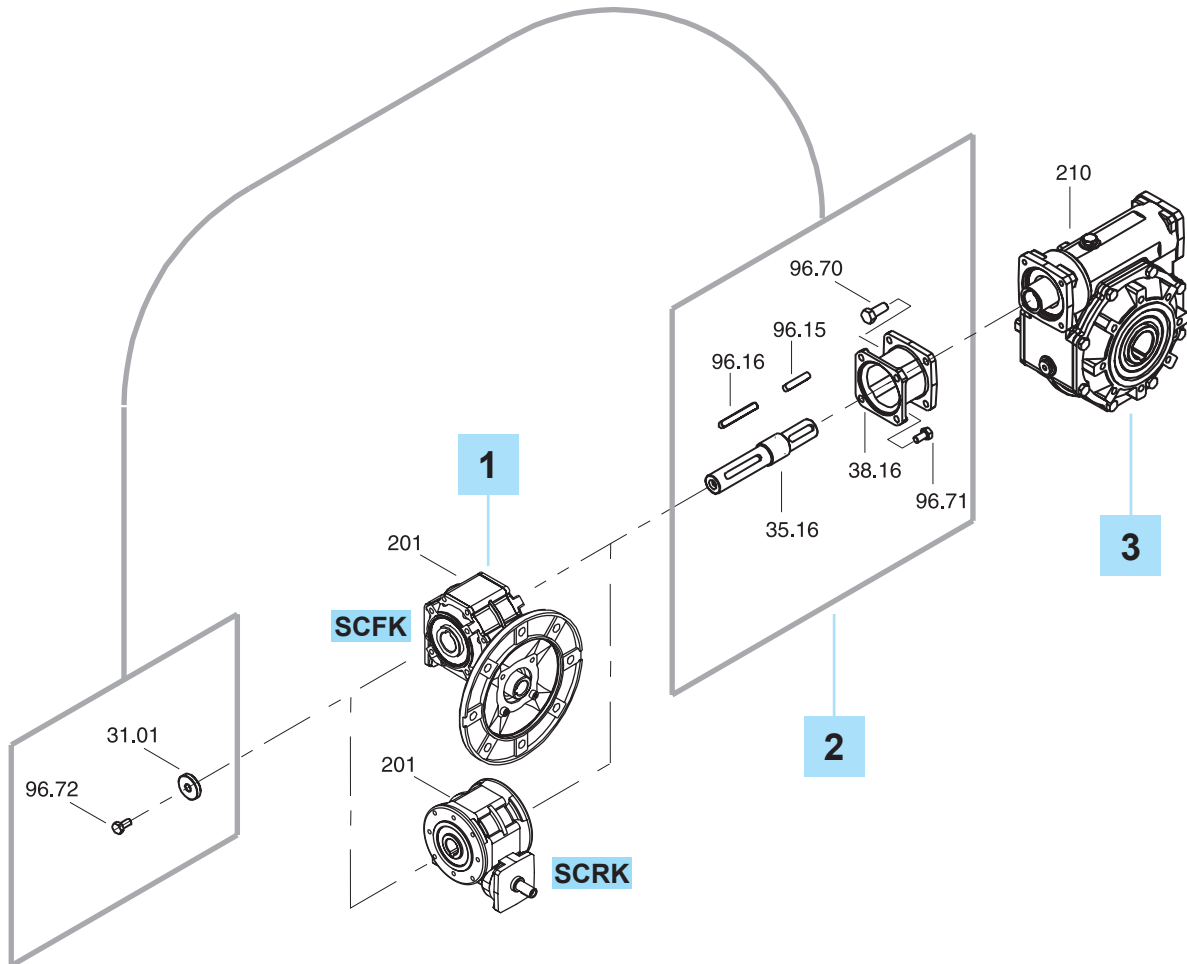




SCFK - SCRK



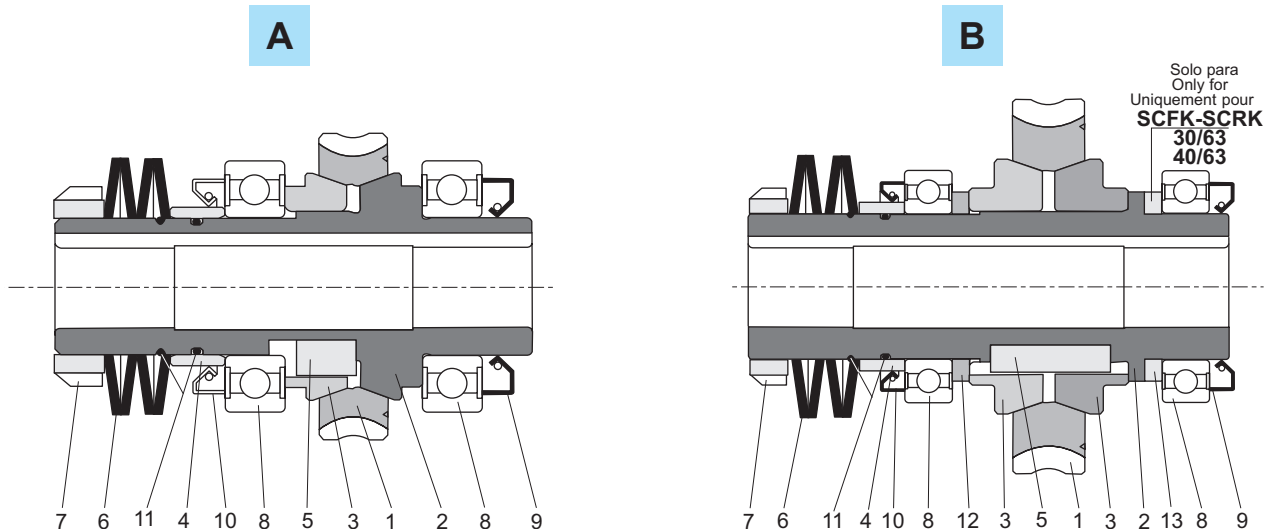
	1		2	3
	IN (SCFK)	IN (SCRK)	KIT	OUT
30/30	KC30	KA30	KIT 30/30 (2850002010)	30/9
30/40			KIT 30/40 (2850002013)	40/11
30/50			KIT 30/50 (2850002016)	50/14
30/63			KIT 30/63 (2850002019)	63/19
40/63	KC40	KA40	KIT 40/63 (2850002028)	63/19
40/75			KIT 40/75 (2850002031)	75/24
50/75	KC50	KA50	KIT 50/75 (2850002034)	75/24

SCFK - SCRK

Limitador de par agujero pasante

Torque limiter with through hollow shaft

Limiteur de couple creux continu



A		B		
SCFK - SCRK				
30/30 (L1-LD-LS) 30/40 (L1) 30/50 (L1) 30/63 (L1)	30/40 (LD - LS) 40/63 (L1) 40/75 (L1)	30/50 (LD - LS) 50/75 (L1)	30/63 (LD - LS) 40/63 (LD - LS)	40/75 (LD - LS) 50/75 (LD - LS)
1 Corona en bronce / Bronze wheel / Roue en bronze				
2 Limitador del eje hueco / Hollow shaft torque limiter / Arbre creux limiteur				
3 Anillo de fricción / Friction ring / Bague de frottement				
4 Distancias resortes / Washers' distance ring / Entretoise rondelles				
5 Lengüeta / Key / Clavette				
8x7x10AB	10x8x13AB	12x8x18AB	12x8x40A	16x10x40A
6 Resortes de taza / Belleville washers / Rondelles Belleville				
7 Abrazadera / Metal ring / Frette				
8 Cojinetes / Bearings / Roulements				
6005 25x47x12	6006 30x55x13	6008 40x68x15	6008 40x68x15	6010 50x80x16
9 Retenes / Oilseals / Bagues d'étanchéité				
25x40x7	30x47x7	40x62x8	40x62x8	50x72x8
10 Retenes / Oilseals / Bagues d'étanchéité				
30x40x5	35x47x7	48x62x8	48x62x8	58x72x8
11 Juntas tóricas en goma / Rubber O-rings / Joints toriques en gomme				
OR2087 21.95x1.78	OR2106 26.7x1.78	OR 36.27x1.78	OR 36.27x1.78	OR2187 47.37x1.78
12 -			Espaciador / Spacer / Entretoise	
13 -		Espaciador / Spacer / Entretoise		-